

3/4" SWEAT FULL PORT BALL VALVE



TECHNICAL DATA

DESCRIPTION:

3/4" Sweat Full Port Ball Valve with Solder Ends

CONSTRUCTION:

Lead Free Brass Body and Brass Stem, A3 Handle, Steel Gasket and Nut, PTFE Seal.

FEATURE:

600 WOG, 150 WSP

Temperature range: -20°F - 300 °F

Solder ends comply with ANSI B16.18

Designed for residential use with water, oil or gas

CODE APPROVALS:

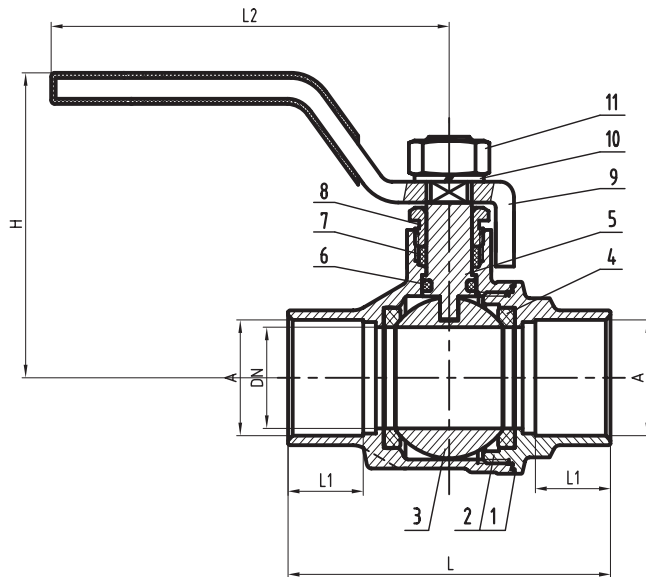
CSA Listed. Complies w/ NSF-61, NSF-372

PART#	DESCRIPTION	FINISH
BV-SWT-34	3/4" Sweat Full Port Ball Valve with Solder Ends	Forged



Country of origin: China

ROUGH IN DRAWING



Unit:mm

Size	A	DN	L	L1	L2	H
3/4"	Φ22.3	Φ19	68.5	16.5	110	57.5

No.	Item	Material	Qty	Notes
11	Nut	Steel	1	Surface Plain
10	Gasket	Steel	1	Surface Plain
9	Handle	A3	1	Chrome
8	Pressed Cap	C37710	1	Surface Plain
7	Liner	PTFE	1	Surface Plain
6	O-ring	EPDM	1	Surface Plain
5	Stem	C46500	1	Surface Plain
4	Seals	PTFE	2	Surface Plain
3	Valve Ball	C46500	1	Chrome
2	Bonnet	C46500	1	Nicked
1	Body	C46500	1	Nicked

ALL DIMENSIONS SHOWN ARE NOMINAL

Meets requirements for NSF-61, NSF-372